

## Fluke i2000 Flex AC Current Clamp

### Technical Data



The i2000 is an ac current probe Utilizing the Rogowski principle. It can be used to measure currents up to 2000 A when used in conjunction with multimeters, recorders or data loggers. The flexible and lightweight measuring head allows quick and easy installation in hard to reach areas.

#### Electrical specifications

**Current ranges:** 20 A, 200 A, 2000 A ACRMS  
**Output sensitivity (ac-coupled):** 100 mV, 10 mV, 1 mV per A  
**Load impedance:** 100 k $\Omega$  minimum  
**Accuracy (at +25 °C):**  $\pm 1$  % of range (45 Hz to 65 Hz)  
**Linearity (10 % to 100 % of range):**  $\pm 0.2$  % of reading  
**Noise:** 8 mV ac rms (30 A), 2 mV ac rms (300 A, 3000 A)  
**Frequency range:** 10 Hz to 20 kHz (-3 dB)  
**Phase error:**  $< \pm 1^\circ$  (45 Hz to 65 Hz),  $\pm 10^\circ$  (at 20 kHz)  
**Position sensitivity (with cable > 25 mm from the coupling):**  $\pm 2$  % of range  
**External field (with cable > 200 mm from the head):**  $\pm 1$  % of range

**Power supply:** 2 x AA/MN 1500/LR6 Alkaline, 200 hours, low battery indicator  
**Temperature coefficient:**  $\pm 0.08$  % of reading per °C  
**Working voltage (see Safety standards section):** 600 V ac rms or dc

#### General specifications

**Head cable length (double insulated):** 610 mm (24 in)  
**Head cable diameter:** 14.3 mm (0.56 in)  
**Head bend radius:** 38.1 mm (1.5 in)  
**Cable length (head to electronics):** 2 m (6.56 ft)  
**Output connection:** BNC with BNC to Banana adapter included  
**Operating temperature range:** 0 °C to +70 °C (32 °F to 158 °F) (head and electronics)

**Storage temperature range:** -40 °C to +105 °C  
 (-40 °F to 221 °F) (head), -20 °C to +85 °C (-4 °F to  
 185 °F) (electronics)

**Operating humidity:** 15 % to 85 %  
 (non-condensing)

**Weight:** 180 g (6.34 oz) (head), 190 g (6.70 oz)  
 (electronics)

**Safety standards**

**EN 61010-1:** 2001

**EN 61010-2-032:** 2002

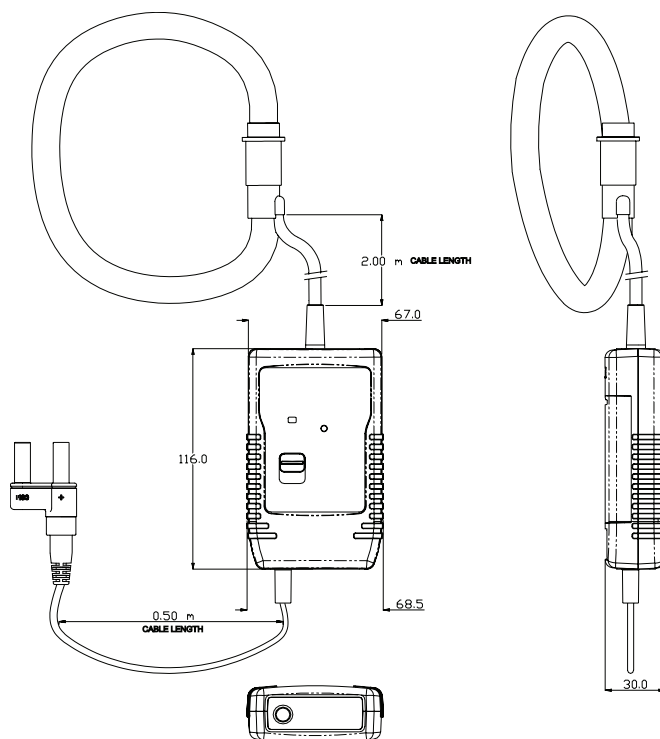
**EN 61010-031:** 2002

600 Vrms, Category III, Pollution Degree 2

Use of the probe on uninsulated conductors is limited to 600 V acrms  
 or dc and frequencies below 1 kHz.

**EMC Standards**

**EN 61326:** 1998 +A1, A2, & A3



**Ordering information**  
 i2000 Flex AC Current Clamp



i2000 Flex connected to a Fluke 87V Digital Multimeter.

**Fluke.** *Keeping your world  
 up and running.™*

**Fluke Corporation**

PO Box 9090, Everett, WA USA 98206

Fluke Europe B.V.  
 PO Box 1186, 5602 BD  
 Eindhoven, The Netherlands

For more information call:  
 In the U.S.A. (800) 443-5853 or  
 Fax (425) 446-5116  
 In Europe/M-East/Africa +31 (0) 40 2 675 200 or  
 Fax +31 (0) 40 2 675 222  
 In Canada (800) 36-FLUKE or  
 Fax (905) 890-6866  
 From other countries +1 (425) 446-5500 or  
 Fax +1 (425) 446-5116  
 Web access: <http://www.fluke.com>

©2006 Fluke Corporation. All rights reserved.  
 Specifications subject to change without notice.  
 Printed in U.S.A. 12/2006 2688061 D-EN-N Rev D