

# a3004 FC Wireless DC Clamp

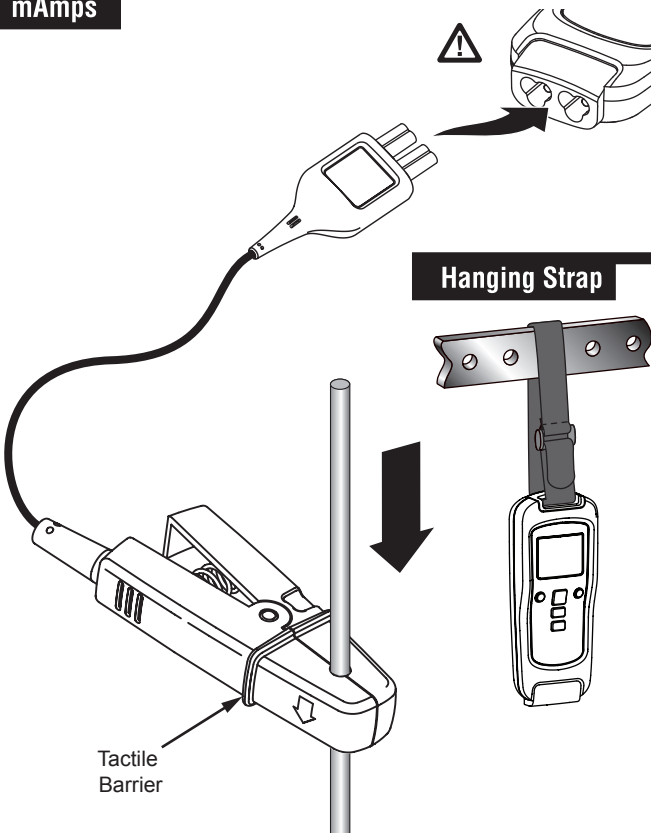
## Quick Reference Guide

### ⚠️ Warning

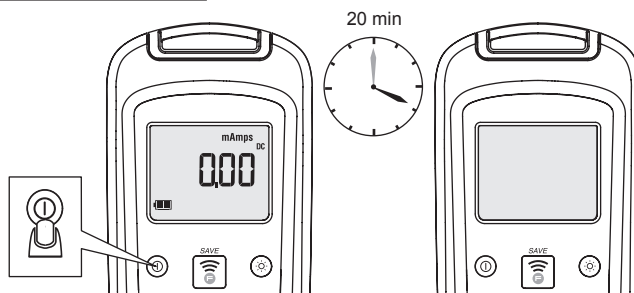
To prevent possible electrical shock, fire, or personal injury, read the "a3004 FC Safety Sheet" before you use this Product.

Go to [www.fluke.com](http://www.fluke.com) to register your product and find more information.

### mAmps

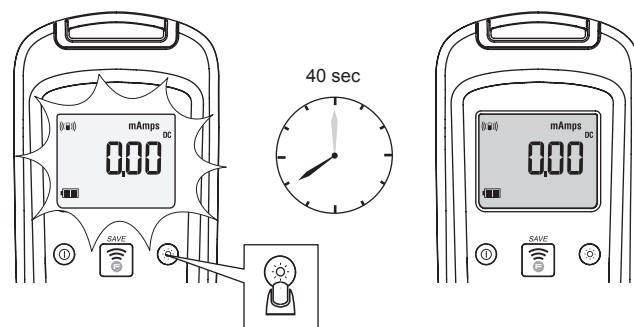


### Ⓜ On / Off



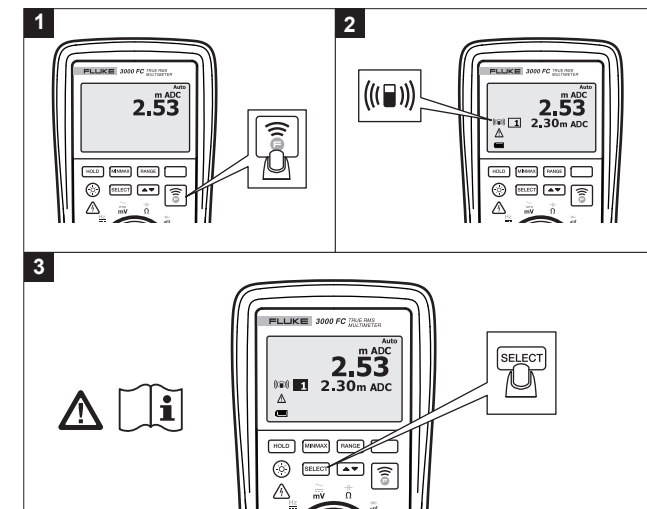
1 OFF	2 LOG + 1 2	3 LOG x2
4 PoFF	5 ⚙️	6 mAmps DC 2.30 ∞

### ⚙️ Backlight

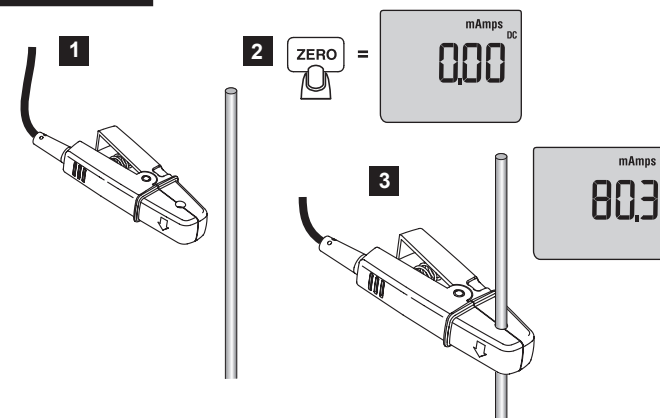


1 OFF	2 LOG + 1 2	3 LOG x3	4 LoFF
5 ⚙️	6 mAmps DC 288	7 ⚙️	8 mAmps DC 288 ∞

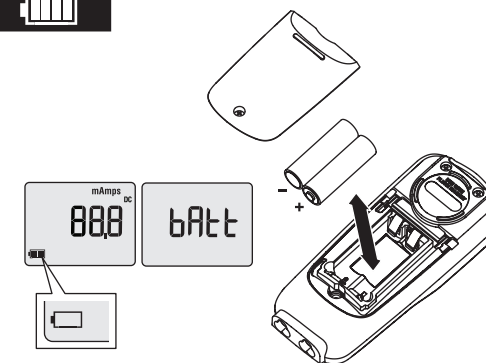
### DMM (3000 FC Optional)



### ZERO

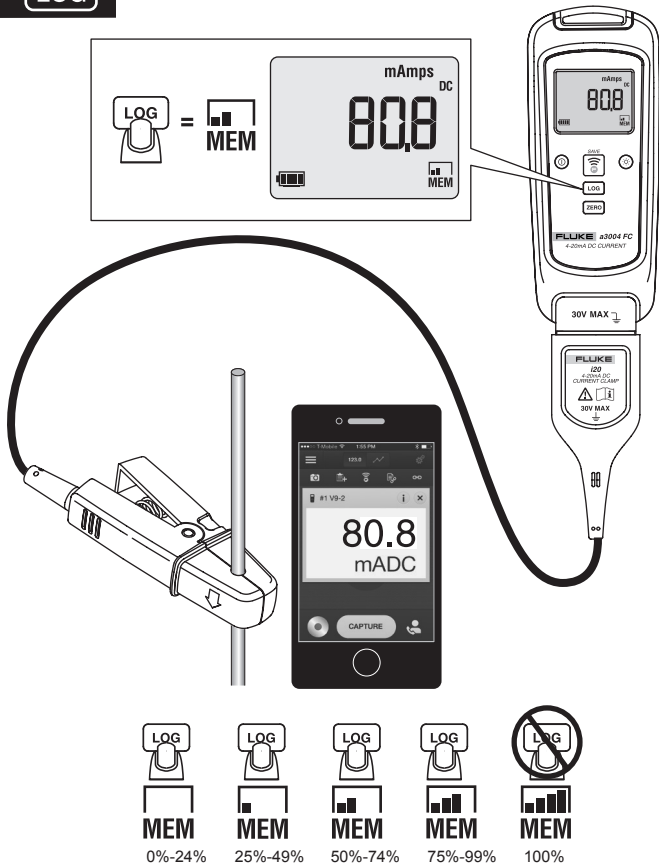


### 🔋



LOG

iOS/Android



## Fluke Connect™ Bluetooth® Connection to FC Tools

